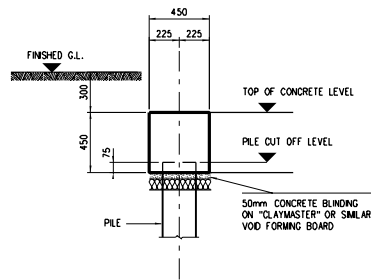
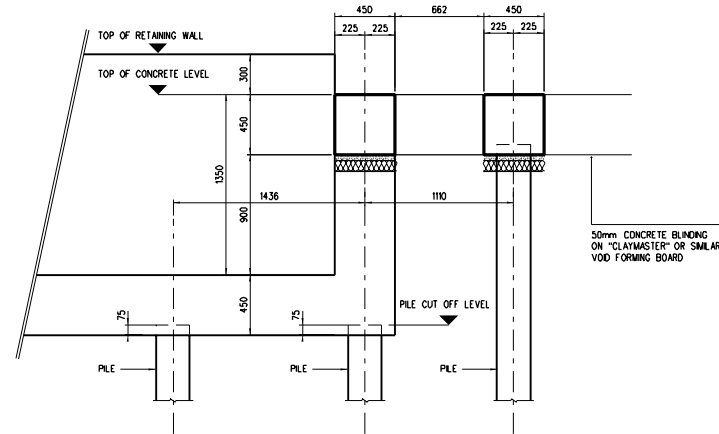


**CON. CONSIDERATIONS**  
 ANK'S role on this project is that of 'Designer' as defined by CDM Regulation 13. As such the design has been considered for foreseeable hazards and associated risks.  
 Your attention is drawn to the H & S matters which have been identified within the Health & Safety Plan as being potentially hazardous however, these items should in no way be considered as a complete and final list.  
 The Contractor's normal H & S obligations still apply when undertaking construction operations both on and off site and also applies to all Work/Job-Contractors.  
**NOTES**

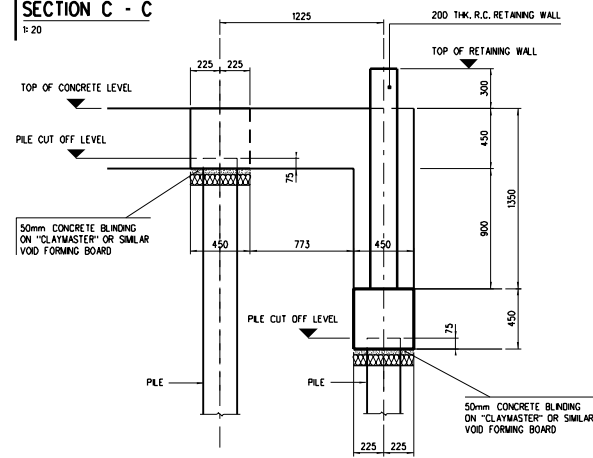
**SECTION A - A**  
 1:20



**SECTION B - B**  
 1:20



**SECTION C - C**  
 1:20



REV. DATE DESCRIPTION BY CDM REV CHECK

PROJECT CLOUD 8

DRAWING TITLE

FOUNDATION SECTIONS & DETAILS

PLT DATE	DRAWN	CHECKED
15/07/2017	HAJIB	
DATE	SCALE	STATUS
22/07/17	1:20	
PROJECT No	DRAWING No	REVISION
4399	20	

Structural House 40 Dyer Street, Canterbury, Queensland 4270, AUSTRALIA  
 Tel: 07 5520 8088 Fax: 07 5520 8019  
 E-mail: [enquiries@ahc.com.au](mailto:enquiries@ahc.com.au)  
 Level 10, 11, 12, 13, 14, 15, 16, 17, 18, 19, 20, 21, 22, 23, 24, 25, 26, 27, 28, 29, 30, 31, 32, 33, 34, 35, 36, 37, 38, 39, 40, 41, 42, 43, 44, 45, 46, 47, 48, 49, 50, 51, 52, 53, 54, 55, 56, 57, 58, 59, 60, 61, 62, 63, 64, 65, 66, 67, 68, 69, 70, 71, 72, 73, 74, 75, 76, 77, 78, 79, 80, 81, 82, 83, 84, 85, 86, 87, 88, 89, 90, 91, 92, 93, 94, 95, 96, 97, 98, 99, 100  
 The Congregational Church, Springfield Road, South Brisbane, Queensland 4101, AUSTRALIA  
 Tel: 07 3271 2000 Fax: 07 3271 2014  
**Anthony Hunt Associates Ltd.**  
 STRUCTURAL & CIVIL ENGINEERING CONSULTANTS

**TENDER**